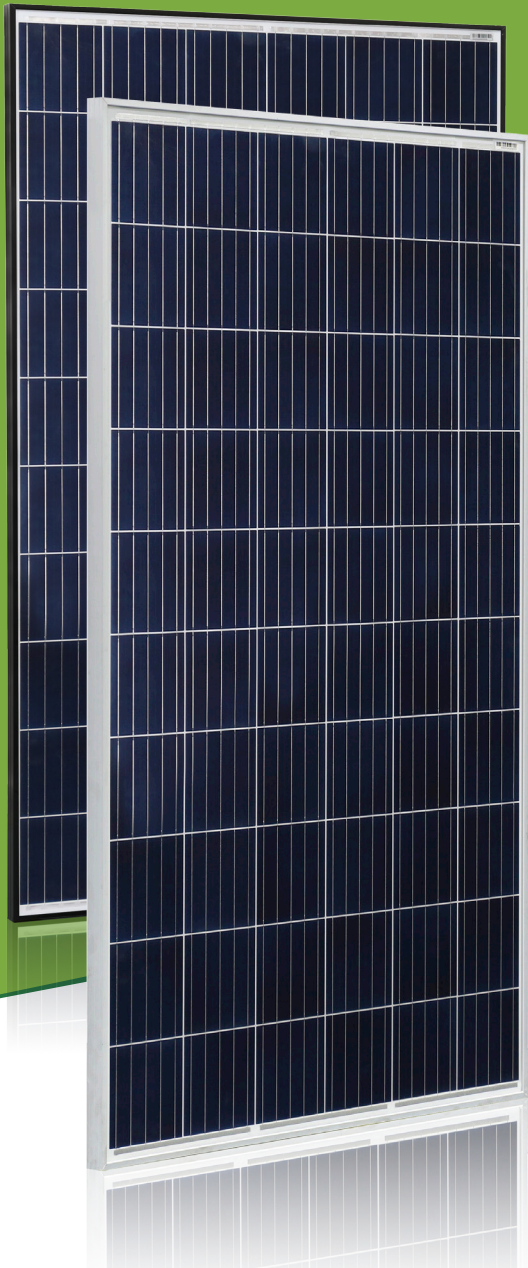


For Global Market



# STAVE™

## 255W ~ 275W

5BB-Polycrystalline PV Module

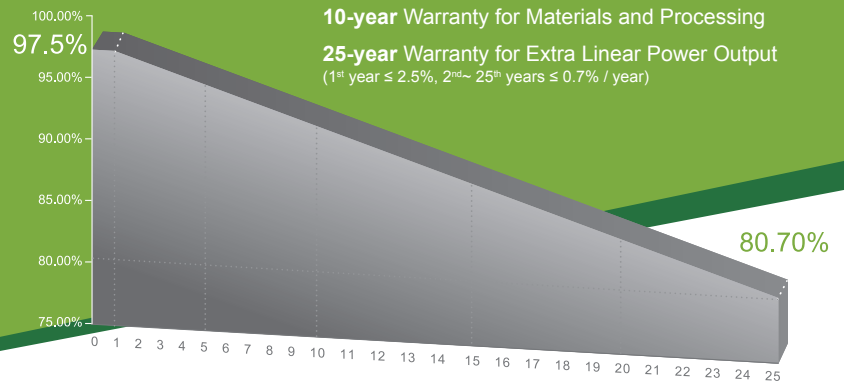
CHSM6610P Series

CHSM6610P/HV Series

CHSM6610P max system voltage 1000V standard

CHSM6610P/HV max system voltage 1500V standard

<b>Tier 1</b> Bloomberg	<b>No.1</b> PHOTON	MunichRe Insured	<b>DNV GL</b> 2017 TOP Performance
----------------------------	-----------------------	---------------------	---------------------------------------



Optional: Black frame designed for the certain projects and applications (e.g. residential rooftop and so on)

### COMPREHENSIVE CERTIFICATES



First solar company which passed the TUV Nord IEC/TS 62941 certification audit.

### KEY FEATURES



#### OUTPUT POSITIVE TOLERANCE

Guaranteed 0~+5W positive tolerance ensures power output reliability.



#### INNOVATIONAL 5-BUSBAR CELLS

Reduces the cell series resistance and internal stress, decreases the risk of micro-crack and improve the module output.



#### PID RESISTANCE

Excellent PID resistance at 96 hours (@85°C/85%) test, and also can be improved to meet higher standards for the particularly harsh environment.



#### EXCELLENT MECHANICAL LOAD CAPABILITY

Certified to withstand: snow load (6000 Pa) and wind load (3600 Pa).



#### HIGHER RELIABILITY AND DURABILITY

Effectively deals with harsh environments, such as sand, salt mist and ammonia resistance.



#### PASSED HAIL TEST

Certified to hail resistance: ice ball size (d=45mm) and ice ball velocity (v=30.7m/s).



#### LOW-LIGHT IRRADIANCE

With the deep textured ARC glass and cell surface texturing process, achieve the excellent performance at the haze, cloudy days and other low light conditions.



## ELECTRICAL SPECIFICATIONS

STC rated output (Pmpp)*	255 Wp	260 Wp	265 Wp	270 Wp	275 Wp
Rated voltage (Vmpp) at STC	30.66 V	30.88 V	30.92 V	31.08 V	31.12 V
Rated current (Impp) at STC	8.33 A	8.43 A	8.58 A	8.70 A	8.85 A
Open circuit voltage (Voc) at STC	37.48 V	37.72 V	37.87 V	38.00 V	38.45 V
Short circuit current (Isc) at STC	8.85 A	8.95A	9.18 A	9.45 A	9.52 A
Module efficiency	15.6%	15.9%	16.2%	16.5%	16.9%
Rated output (Pmpp) at NOCT	191.3 Wp	195.0 Wp	198.8 Wp	202.5 Wp	206.3 Wp
Rated voltage (Vmpp) at NOCT	27.73 V	27.94 V	27.98 V	28.12 V	28.15 V
Rated current (Impp) at NOCT	6.90 A	6.98 A	7.10 A	7.20 A	7.33 A
Open circuit voltage (Voc) at NOCT	34.24 V	34.46 V	34.60 V	34.71 V	35.13 V
Short circuit current (Isc) at NOCT	7.45 A	7.54 A	7.73 A	7.96 A	8.02 A
Temperature coefficient (Pmpp)	- 0.407%/°C				
Temperature coefficient (Isc)	+0.049%/°C				
Temperature coefficient (Voc)	- 0.310%/°C				
Normal operating cell temperature (NOCT)	43±2°C				
Maximum system voltage (IEC/UL)	1000V <sub>DC</sub> or 1500V <sub>DC</sub>				
Number of diodes	3				
Junction box IP rating	IP 67				
Maximum series fuse rating	15 A				

\* Measurement tolerance +/- 3%

STC: Irradiance 1000W/m<sup>2</sup>, Cell Temperature 25°C, AM=1.5

NOCT: Irradiance 800W/m<sup>2</sup>, Ambient Temperature 20°C, AM=1.5, Wind Speed 1m/s

## MECHANICAL SPECIFICATIONS

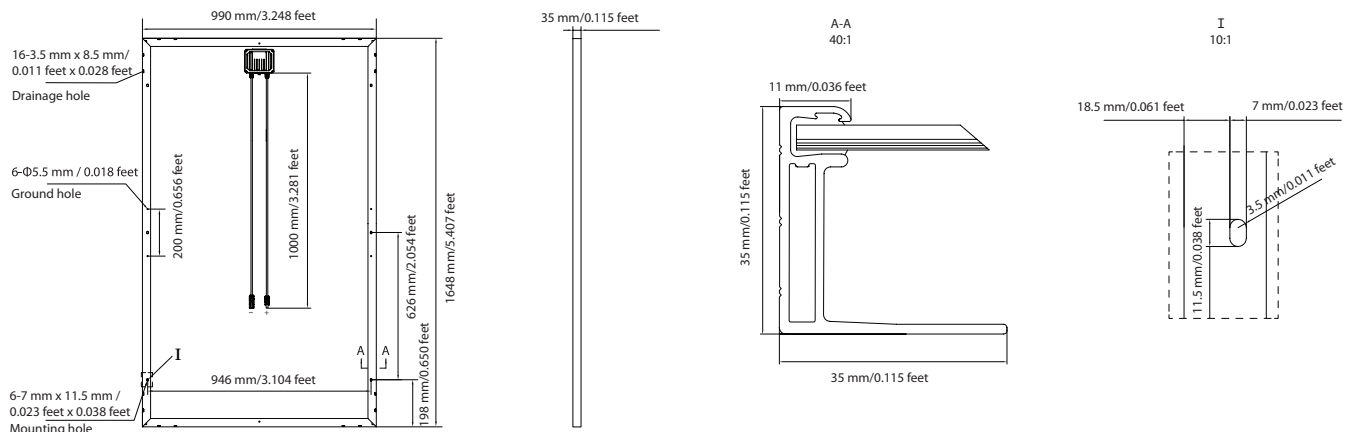
Outer dimensions (L x W x H)	1648 x 990 x 35 mm 64.88 x 38.98 x 1.38 in
Frame technology	Aluminum, silver / black anodized
Module composition	Glass / EVA / Backsheet (white)
Front glass thickness	3.2 mm / 0.13 in
①Cable length (IEC/UL)	1000 mm / 39.37 in
Cable diameter (IEC/UL)	4 mm <sup>2</sup> / 12 AWG
②Maximum mechanical test load	6000 Pa
Fire performance (IEC/UL)	Class C (IEC) or Type 1 (UL)
Connector type (IEC/UL)	MC4 compatible

① Option: 900(+)/600(-) mm for defined projects in advance.

② Refer to Astronergy crystalline installation manual or contact technical department.

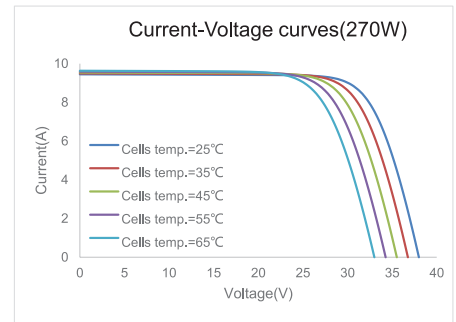
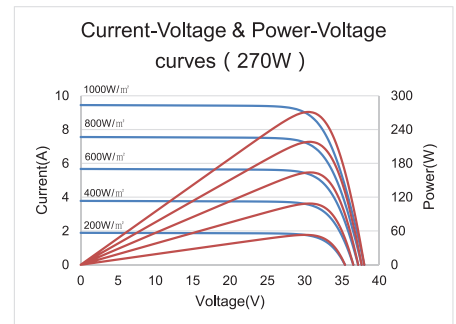
Maximum Mechanical Test Load=1.5×Maximum Mechanical Design Load.

## MODULE DIMENSION DETAILS



© Chint Solar (Zhejiang) Co., Ltd. Reserves the right of final interpretation. please contact our company to use the latest version for contract.

## CURVE



## PACKING SPECIFICATIONS

①Weight (module only)	18.3 kg / 40.34 lbs
②Packing unit	31 pcs/Pallet
Weight of packing unit (for 40'HQ container)	616 kg / 1358 lbs
Number of modules per 40'HQ container	868 pcs

① Tolerance +/- 1.0kg

② Subject to sales contract